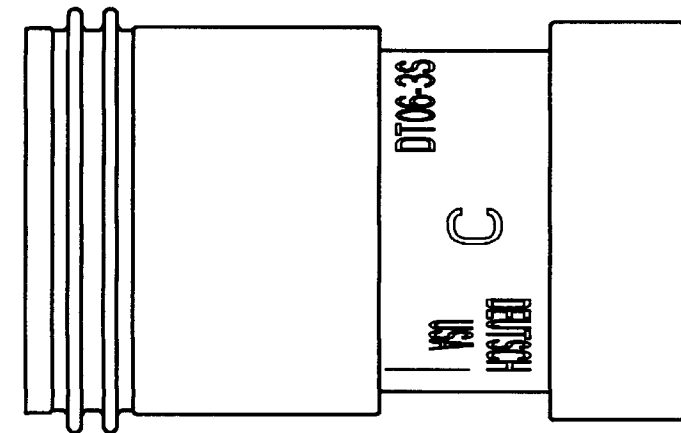
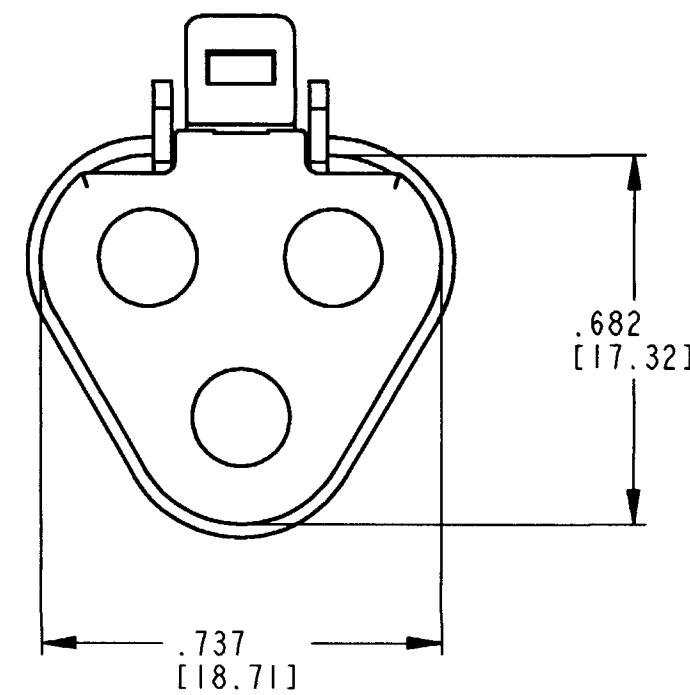
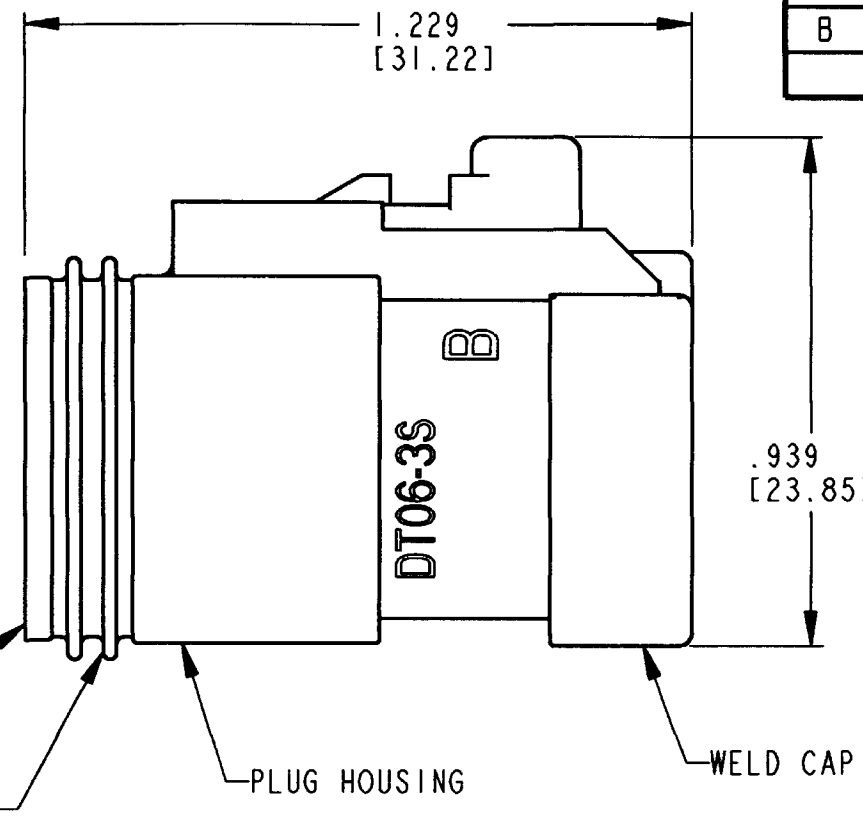
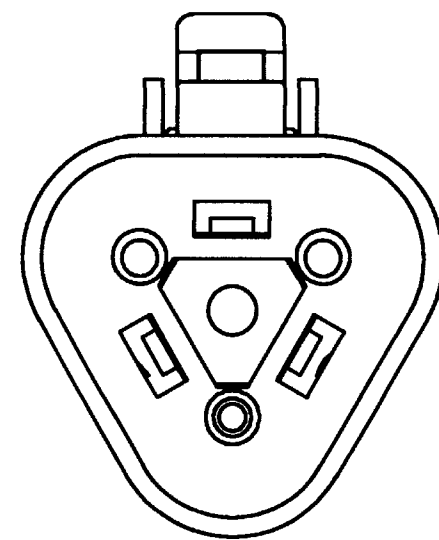


3D VIEW



REV B DT06-3S-P006

REVISIONS			
SYM	DESCRIPTION	DATE	APPROVED
NC	NEW RELEASE PER E.O. A14583	8/18/95	RDR
A	REVISED PER E.O. P16179	7/13/99	RDR
B	REVISED PER E.O. P16652	5-10-00	RDR

6. RESISTOR CHARACTERISTICS: 120 OHMS  $\pm$ 10 PERCENT, .4 WATTS MINIMUM.
5. THIS CONNECTOR CAN PASS THROUGH A ONE INCH HOLE.
4. THIS PLUG MATES WITH THE DT04-3P-\*\*\*\* RECEPTACLE. (\*\*\*\* = J1939 MODIFICATIONS.) CONSULT FACTORY FOR MODIFICATIONS.
3. FOR CONTACTS AND WIRE PERFORMANCE AND APPLICATION CHARACTERISTICS SEE ENVELOPE DRAWING 0425-015-0000 AND 0425-017-0000.
2. DIMENSIONS ARE  $\pm$ .025[0.63] UNLESS OTHERWISE SPECIFIED.
1. DIMENSIONS ARE IN INCHES [MILLIMETERS].

NOTES:

SIGNATURE & DATE	
DR	S. THEIS 7/8/99
CHK	<i>[Signature]</i> 10/18/00
PE	<i>[Signature]</i> 5-5-00
APPD	<i>[Signature]</i> 5-10-00
SCALE	3:1 WT

3 WAY PLUG  
DT SERIES  
(TERMINATING PLUG)  
P006 MOD

ENVELOPE

CP	MATL CODE
<b>The Deutsch Company</b> DEUTSCH I.P.D. 3850 INDUSTRIAL AVE. HEMET, CALIF. 92545	
<b>B</b>	<b>DT06-3S-P006</b>
DWG SIZE	CODE 11139 SHEET 1 OF 1